
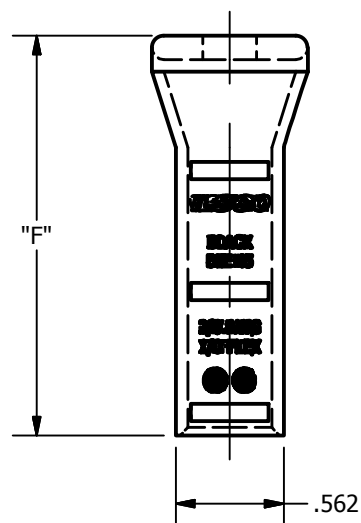
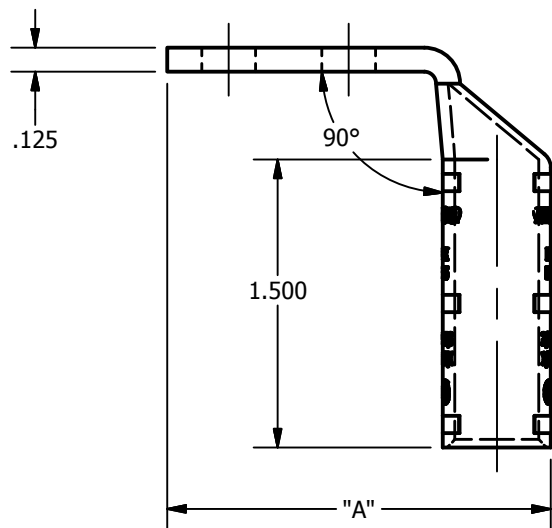
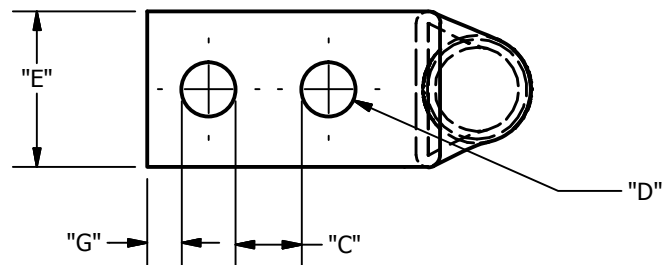


SCREW: NONE	MATERIAL: COPPER	REV: C	 800-776-9775 www.ilSCO.com
CAT. NO.: SEE CHART	PLATING: EL-TIN	DRAWN BY: DW SCALE: NTS	
INFORMATION SHEET: FORM 157	MARKING: SEE CHART	DATE: 6/3/2008 SIZE: B	
			DWG NO: Y0803-D-9
			SHEET: 1 OF 1



DETAIL E
INK MARK TOP & BOTTOM

CATALOG NUMBER	"A"	"C"	"D"	"E"	"F"	"G"	TANG MARKING
CLNB-2/0-10-12-9	1.916	0.281	0.219	0.811	2.128	0.148	UL, ILSCO, CSA, CLNB-2/0-10-12-9, 10 x 1/2, 2/0 AWG, 1/0 FLEX, DIE 45
CLNB-2/0-10-58-9	1.916	0.406	0.219	0.811	2.128	0.148	UL, ILSCO, CSA, CLNB-2/0-10-58-9, 10 x 5/8, 2/0 AWG, 1/0 FLEX, DIE 45
CLNB-2/0-10-1116-9	1.916	0.468	0.219	0.811	2.128	0.148	UL, ILSCO, CSA, CLNB-2/0-10-1116-9, 10 x 11/16, 2/0 AWG, 1/0 FLEX, DIE 45
CLNB-2/0-10-34-9	2.103	0.531	0.219	0.811	2.128	0.148	UL, ILSCO, CSA, CLNB-2/0-10-34-9, 10 x 3/4, 2/0 AWG, 1/0 FLEX, DIE 45
CLNB-2/0-10-1-9	2.353	0.781	0.219	0.811	2.128	0.148	UL, ILSCO, CSA, CLNB-2/0-10-1-9, 10 x 1, 2/0 AWG, 1/0 FLEX, DIE 45
CLNB-2/0-14-12-9	1.916	0.219	0.281	0.811	2.128	0.180	UL, ILSCO, CSA, CLNB-2/0-14-12-9, 1/4 x 1/2, 2/0 AWG, 1/0 FLEX, DIE 45
CLNB-2/0-14-58-9	2.103	0.344	0.281	0.811	2.128	0.180	UL, ILSCO, CSA, CLNB-2/0-14-58-9, 1/4 x 5/8, 2/0 AWG, 1/0 FLEX, DIE 45
CLNB-2/0-14-34-9	2.103	0.469	0.281	0.811	2.128	0.180	UL, ILSCO, CSA, CLNB-2/0-14-34-9, 1/4 x 3/4, 2/0 AWG, 1/0 FLEX, DIE 45
CLNB-2/0-14-1-9	2.353	0.719	0.281	0.811	2.128	0.180	UL, ILSCO, CSA, CLNB-2/0-14-1-9, 1/4 x 1, 2/0 AWG, 1/0 FLEX, DIE 45
CLNB-2/0-516-58-9	2.103	0.282	0.343	0.811	2.128	0.180	UL, ILSCO, CSA, CLNB-2/0-516-58-9, 5/16 x 5/8, 2/0 AWG, 1/0 FLEX, DIE 45
CLNB-2/0-516-34-9	2.353	0.407	0.343	0.811	2.128	0.180	UL, ILSCO, CSA, CLNB-2/0-516-34-9, 5/16 x 3/4, 2/0 AWG, 1/0 FLEX, DIE 45
CLNB-2/0-516-78-9	2.353	0.532	0.343	0.811	2.128	0.180	UL, ILSCO, CSA, CLNB-2/0-516-78-9, 5/16 x 7/8, 2/0 AWG, 1/0 FLEX, DIE 45
CLNB-2/0-516-1-9	2.603	0.657	0.343	0.811	2.128	0.180	UL, ILSCO, CSA, CLNB-2/0-516-1-9, 5/16 x 1, 2/0 AWG, 1/0 FLEX, DIE 45
CLNB-2/0-516-134-9	3.166	1.407	0.343	0.811	2.128	0.180	UL, ILSCO, CSA, CLNB-2/0-516-134-9, 5/16 x 1-3/4, 2/0 AWG, 1/0 FLEX, DIE 45
CLNB-2/0-38-34-9	2.353	0.344	0.406	0.811	2.128	0.211	UL, ILSCO, CSA, CLNB-2/0-38-34-9, 3/8 x 3/4, 2/0 AWG, 1/0 FLEX, DIE 45
CLNB-2/0-38-78-9	2.603	0.469	0.406	0.811	2.128	0.211	UL, ILSCO, CSA, CLNB-2/0-38-78-9, 3/8 x 7/8, 2/0 AWG, 1/0 FLEX, DIE 45
CLNB-2/0-38-1-9	2.603	0.594	0.406	0.811	2.128	0.211	UL, ILSCO, CSA, CLNB-2/0-38-1-9, 3/8 x 1, 2/0 AWG, 1/0 FLEX, DIE 45
CLNB-2/0-38-116-9	2.603	0.656	0.406	0.811	2.128	0.211	UL, ILSCO, CSA, CLNB-2/0-38-116-9, 3/8 x 1-1/6, 2/0 AWG, 1/0 FLEX, DIE 45
CLNB-2/0-38-118-9	2.791	0.719	0.406	0.811	2.128	0.211	UL, ILSCO, CSA, CLNB-2/0-38-118-9, 3/8 x 1-1/8, 2/0 AWG, 1/0 FLEX, DIE 45
CLNB-2/0-38-134-9	3.291	1.344	0.406	0.811	2.128	0.211	UL, ILSCO, CSA, CLNB-2/0-38-134-9, 3/8 x 1-3/4, 2/0 AWG, 1/0 FLEX, DIE 45
CLNB-2/0-38-2-9	3.666	1.594	0.406	0.811	2.128	0.211	UL, ILSCO, CSA, CLNB-2/0-38-2-9, 3/8 x 2, 2/0 AWG, 1/0 FLEX, DIE 45
CLNB-2/0-12-1-9	2.791	0.438	0.562	0.811	2.128	0.265	UL, ILSCO, CSA, CLNB-2/0-12-1-9, 1/2 x 1, 2/0 AWG, 1/0 FLEX, DIE 45
CLNB-2/0-12-114-9	3.166	0.688	0.562	0.811	2.128	0.265	UL, ILSCO, CSA, CLNB-2/0-12-114-9, 1/2 x 1-1/4, 2/0 AWG, 1/0 FLEX, DIE 45
CLNB-2/0-12-112-9	3.291	0.938	0.562	0.811	2.128	0.265	UL, ILSCO, CSA, CLNB-2/0-12-112-9, 1/2 x 1-1/2, 2/0 AWG, 1/0 FLEX, DIE 45
CLNB-2/0-12-134-9	3.666	1.188	0.562	0.811	2.128	0.265	UL, ILSCO, CSA, CLNB-2/0-12-134-9, 1/2 x 1-3/4, 2/0 AWG, 1/0 FLEX, DIE 45
CLNB-2/0-12-178-9	3.666	1.313	0.562	0.811	2.128	0.265	UL, ILSCO, CSA, CLNB-2/0-12-178-9, 1/2 x 1-7/8, 2/0 AWG, 1/0 FLEX, DIE 45